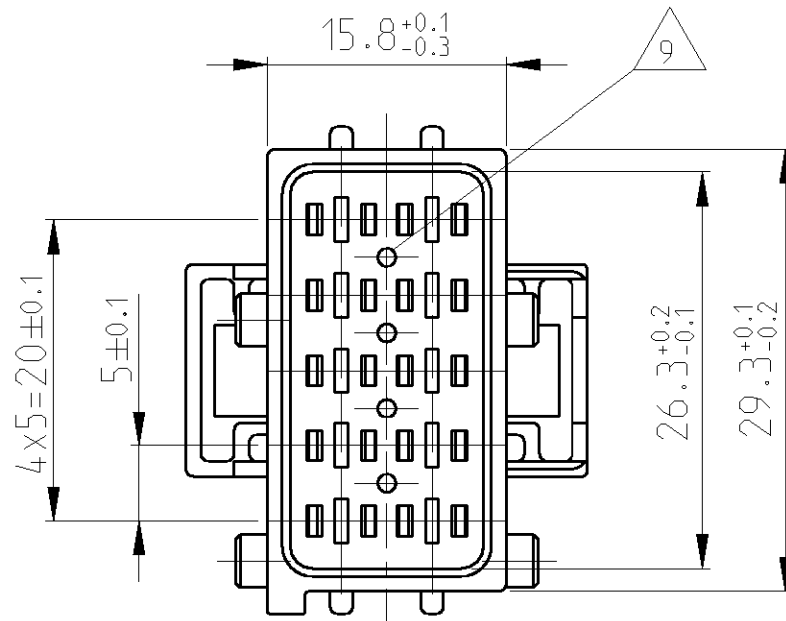
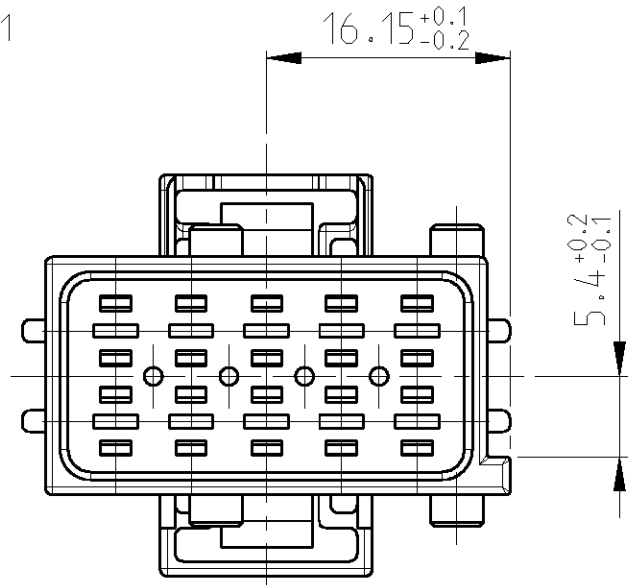


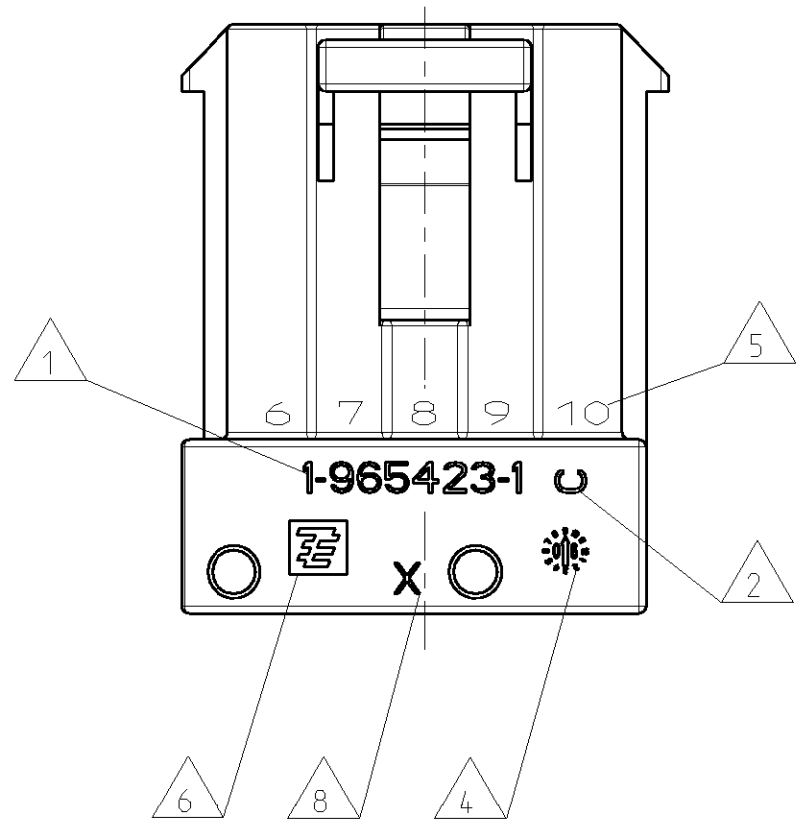
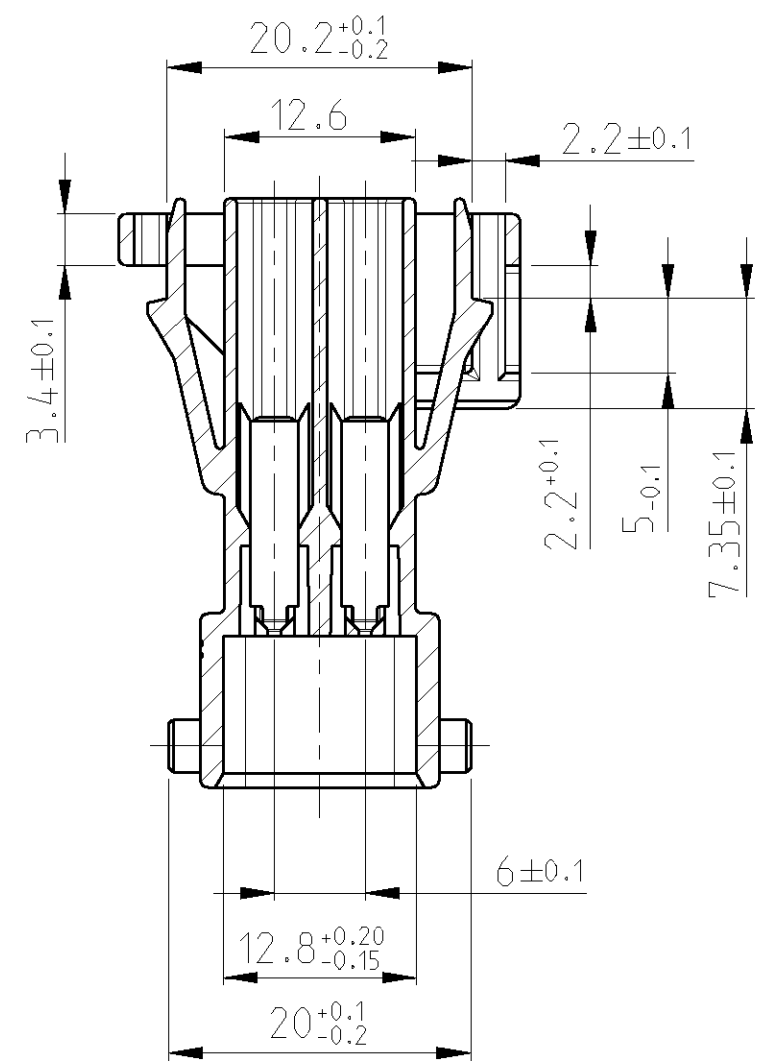
THIS DRAWING IS UNPUBLISHED. RELEASED FOR PUBLICATION. COPYRIGHT BY - ALL RIGHTS RESERVED.

LOC		DIST		REVISIONS			
A1	-	P	LTR	DESCRIPTION	DATE	DWN	APVD
PROJECT NO. A93-52217				C1	REVISED PER ECO-11-005150	28MAR11	RK HMR

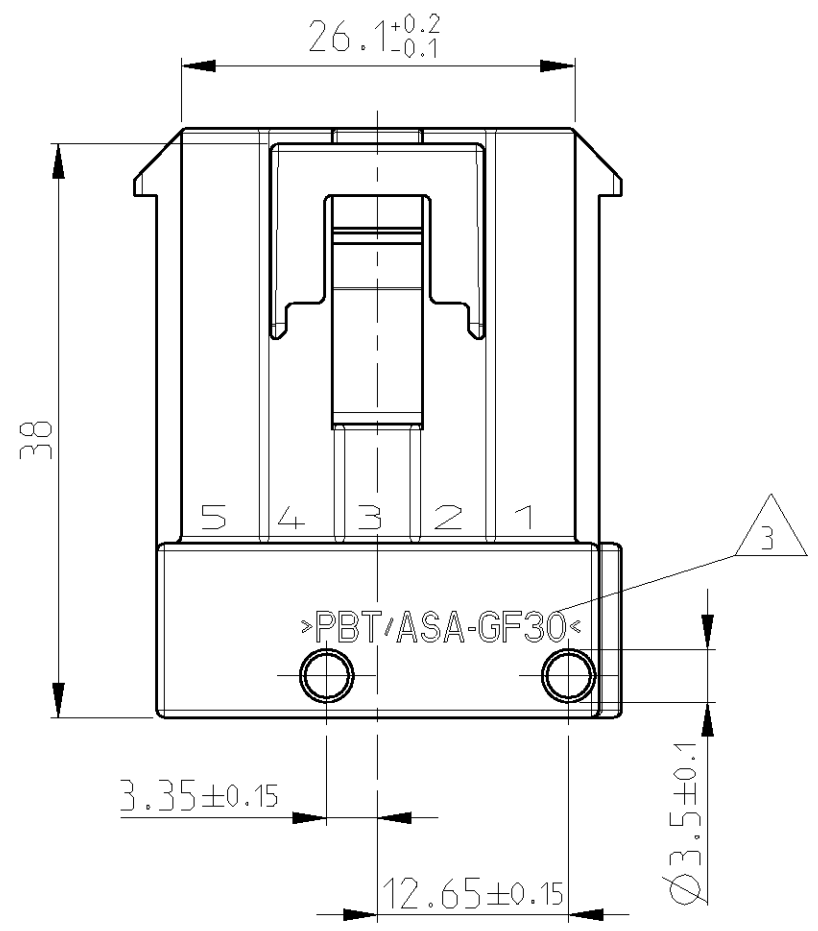
CODING A1



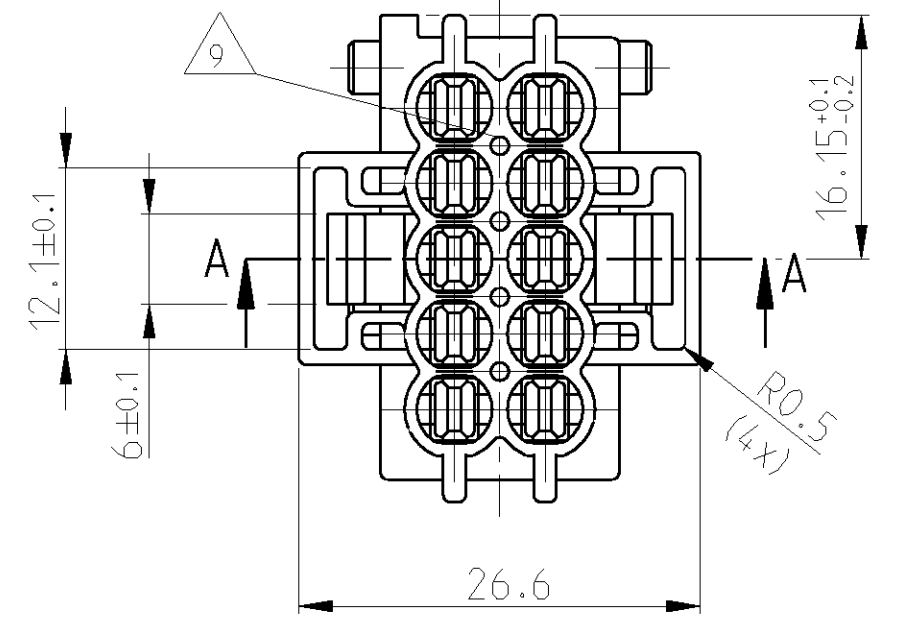
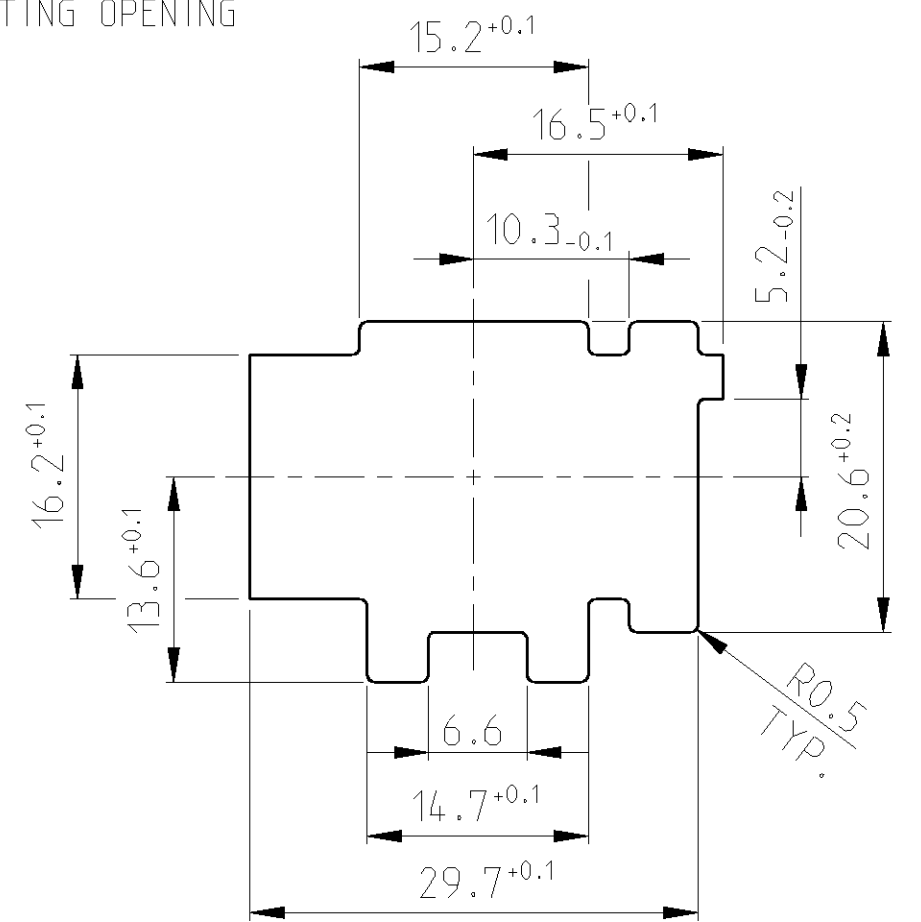
A-A



- NOTES  
BEMERKUNGEN
- NV NOTE NOT VALID  
Bemerkung nicht verwendet
  - 1 ORDER NUMBER  
BESTELL-NUMMER
  - 2 REVISION NUMBER  
WERKZEUGÄNDERUNGSINDEX
  - 3 MATERIAL MARKING  
WERKSTOFFKENNZEICHNUNG
  - 4 PRODUCTION DATE  
PRODUKTIONSdatum
  - 5 CONTACT CAVITY NUMBER  
KONTAKTKAMMERNUMMER
  - 6 TE- LOGO
  - 7 PACKAGING: BULK MATERIAL IN CARDBOARD BOX  
VERPACKUNG: SCHUETTGUT IN KARTON
  - 8 TOOL CAVITY MARKING  
NESTMARKIERUNG
  - 9 OPTIONAL SUIT OF CORES FOR MATERIAL RECESS  
Mögliche Materialentnahme



Blechausschnitt  
MOUNTING OPENING



USED WITH  
967240

1- -1 wie gezeichnet  
AS SHOWN

1-965423-1	C	A1	2.8mm Tab-Hsg. 10Pos.	PBT/ASA-GF-30	BLACK	1
ORDER NO BESTELLNUMMER	REV	CODING	DESCRIPTION NAME	MATERIAL	SURFACE COLOR	ITEM NO

DIMENSIONS: mm	TOLERANCES UNLESS OTHERWISE SPECIFIED:	DWN	24OCT2007	TE Connectivity			
		CHK	25OCT2007				
MATERIAL	FINISH	APVD	-	NAME 2.8mm Messerleiste, 10-polig			
		PRODUCT SPEC	108-18102				
		APPLICATION SPEC	114-18175	SIZE	CAGE CODE	DRAWING NO	RESTRICTED TO
		WEIGHT	8.7g	A2	00779	965423	-
CUSTOMER DRAWING				SCALE	2:1	SHEET	1 OF 1
				REV	C1		